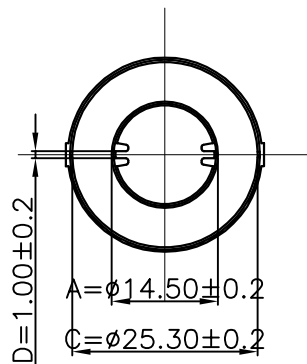
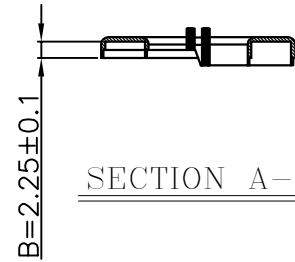
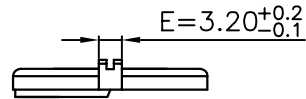
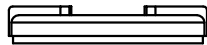
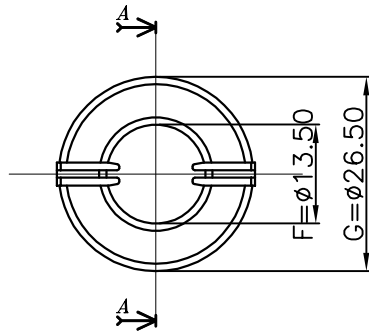


TOLERANCE	
$0 \leq L \leq 4$	± 0.1
$4 \leq L \leq 16$	± 0.2
$16 \leq L \leq 50$	± 0.3
$50 \leq L \leq 63$	± 0.4
$63 \leq L \leq 75$	± 0.5
$75 \leq L \leq 100$	± 0.7



MARK	REVISION NOTE			DATE	DRAWN	CHECKED	APPROVED
△							
△							
△							
△							
	DRAWN	CHECKED	APPROVED	MATERIAL : PPS	UL REC. : UL94V-0	THIRD ANGLE PROJ.	SCALE : 1/1
	MS, Kim	KM, Seo	C, Park	Z : PIN LENGTH (According to customer's request)	DATE : 2015.11.27	TOLERANCE : ±0.2 (Unless otherwise specified)	UNIT : m/m
	주식회사 대흥보빈 DAE HEUNG BOBBIN CO., LTD				TITLE OR 25*04 CAP (B)		DWG NO DH-151228-8660-00